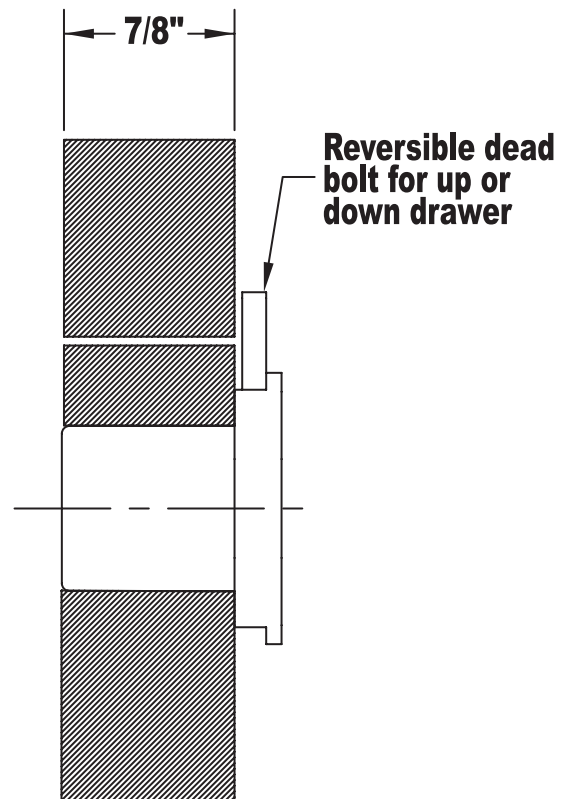
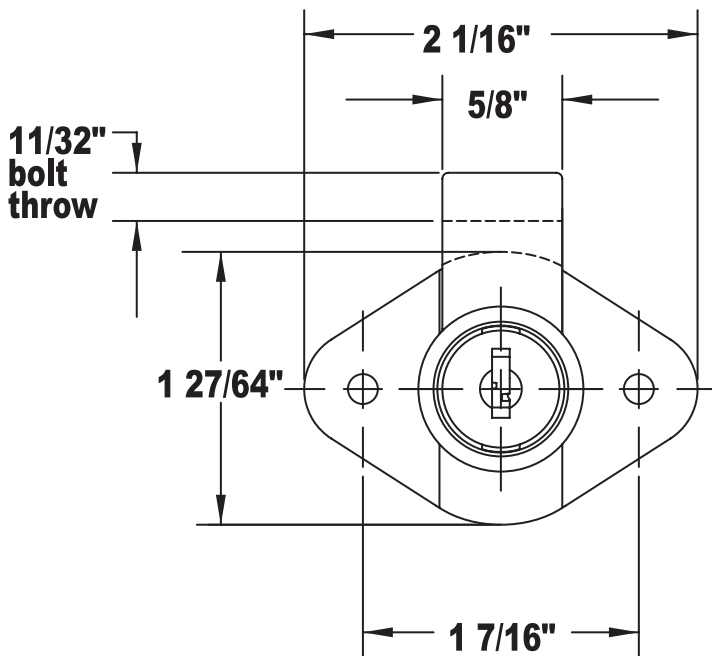
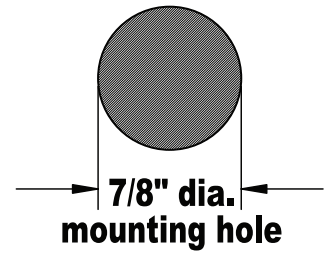
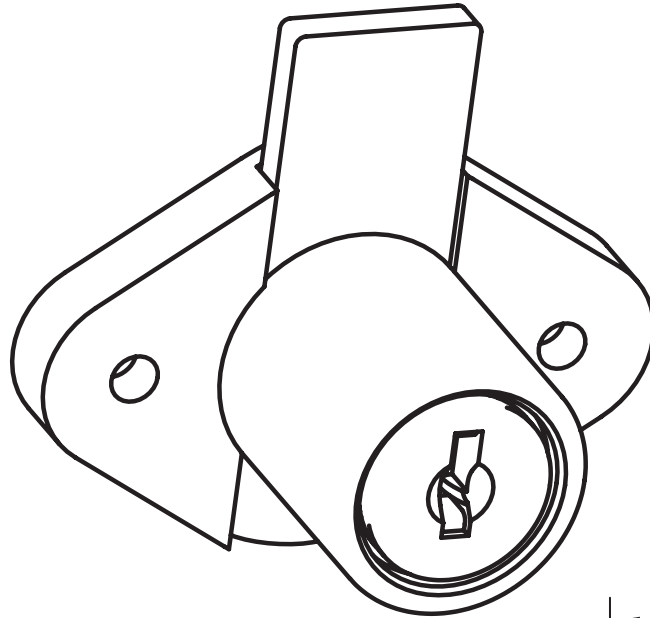


## C8803 DISC TUMBLER DRAWER



**Note: drill  $\frac{3}{64}$ " diameter pilot hole for screws**