

CompX Pearl

Keyless, electronic lock designed to enhance and elevate the look of furniture, lockers and cabinetry.

- Front loaded batteries, accessible even when locked
- 40,000 operating cycles or five years of battery life
- Pearl can be recessed or surface mounted
- Pearl can be mounted on cabinet doors or drawers – also available for gang locking multiple drawers
- Ultra thin – Pearl has the lowest keypad surface height of any electronic keypad lock
- 20 codes per lock: 19 user codes and one supervisor code
- Features programmable user codes, supervisor code and modes of operation – programming is easy and **does not** require special keys or tools
- Available in satin silver and matte black finishes



CompX
SECURITY PRODUCTS



847.752.2600 • compxpearl.com

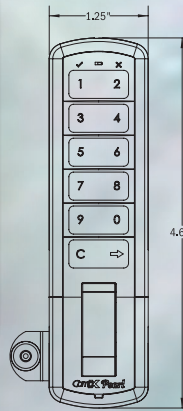
Reorder #: F2644-016

Copyright 2023 © CompXSecurityProducts / 847.752.2600 / compxpearl.com / 715CenterSt., Grayslake, IL60030
Any companies and/or products referred to herein are marks or registered trademarks of their respective companies, owners and/or mark holders.

CompX Pearl

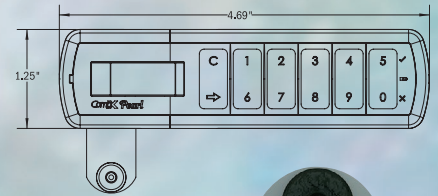
Keyless, electronic lock designed to enhance and elevate the look of furniture, lockers and cabinetry.

VERTICAL mount Pearl
(top vertical is the inverse - knob on top)

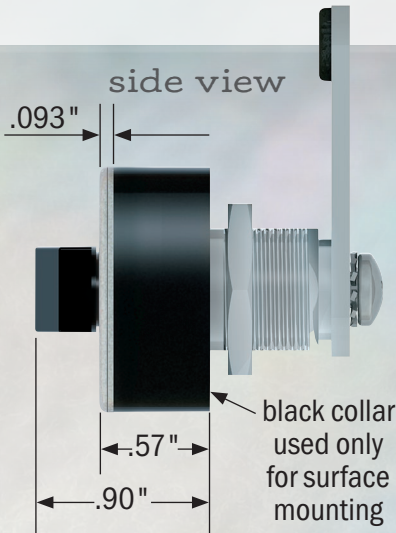


Note: location of door hinges determines hand of door when facing door, i.e. if hinges are on the right, order right hand mount.

RIGHT hand mount Pearl



left hand



How to build a Pearl part number

PRLK: Pearl keypad

M: Manual locking - Supplied CompX National cams

V: Vertical mount, keypad located above the locking point

R: Right hand mount, use on doors with hinge on right side facing cabinet

L: Left hand mount, use on doors with hinge on left side facing cabinet

T: Top vertical mount, keypad located below locking point

1: 7/16" cylinder length (up to 1/8" material thickness)

2: 11/16" cylinder length (up to 3/8" material thickness)

3: 1-3/16" cylinder length (up to 7/8" material thickness)

5: 1-3/4" cylinder length (up to 1-7/16" material thickness)

BK: Matte black housing (satin silver if finish is not specified)

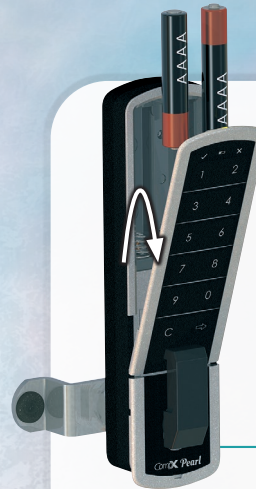
Example: **PRLK-M-R-3-BK**

Pearl keypad, manual locking, right hand mount, 1-3/16" cylinder length, matte black housing

Front load, easy to change batteries

Batteries can be changed when locked or unlocked.

While Pearl features a low battery indicator, annual battery replacement is recommended.



Recessed mounting

Thinnest electronic keypad lock available today.

Measuring just .093" from surface to keypad, Pearl becomes nearly undetectable in its side profile.

Pearl mounting template:
<http://compX.com/resources>



847.752.2600 • compX.com/resources

Reorder #: F2644-016

Copyright 2023 © CompXSecurityProducts / 847.752.2600 / compX.com/resources / 715 Center St., Grayslake, IL 60030
Any companies and/or products referred to herein are marks or registered trademarks of their respective companies, owners and/or mark holders.